

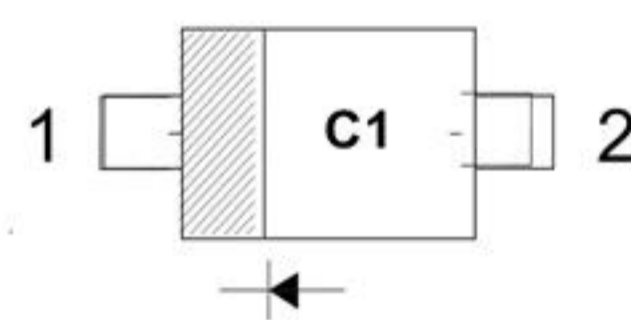
Features

- Low forward voltage
- Fast Reverse Recovery Time
- Small Total Capacitance

Application

- Ultra high speed switching

Dimensions and Pin Configuration



| PIN | DESCRIPTION |
|-----|-------------|
| 1 | Cathode |
| 2 | Anode |

Marking: C1

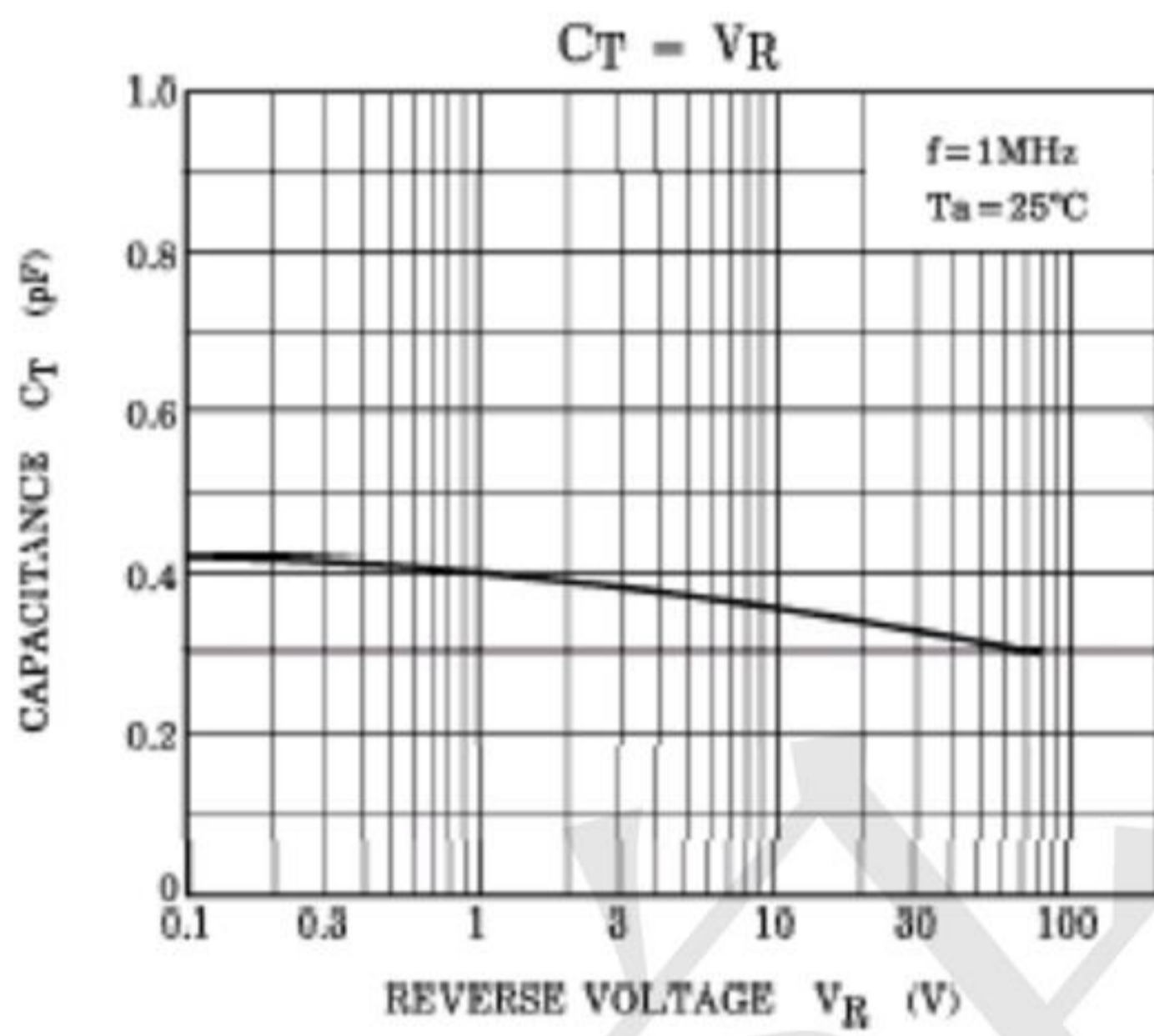
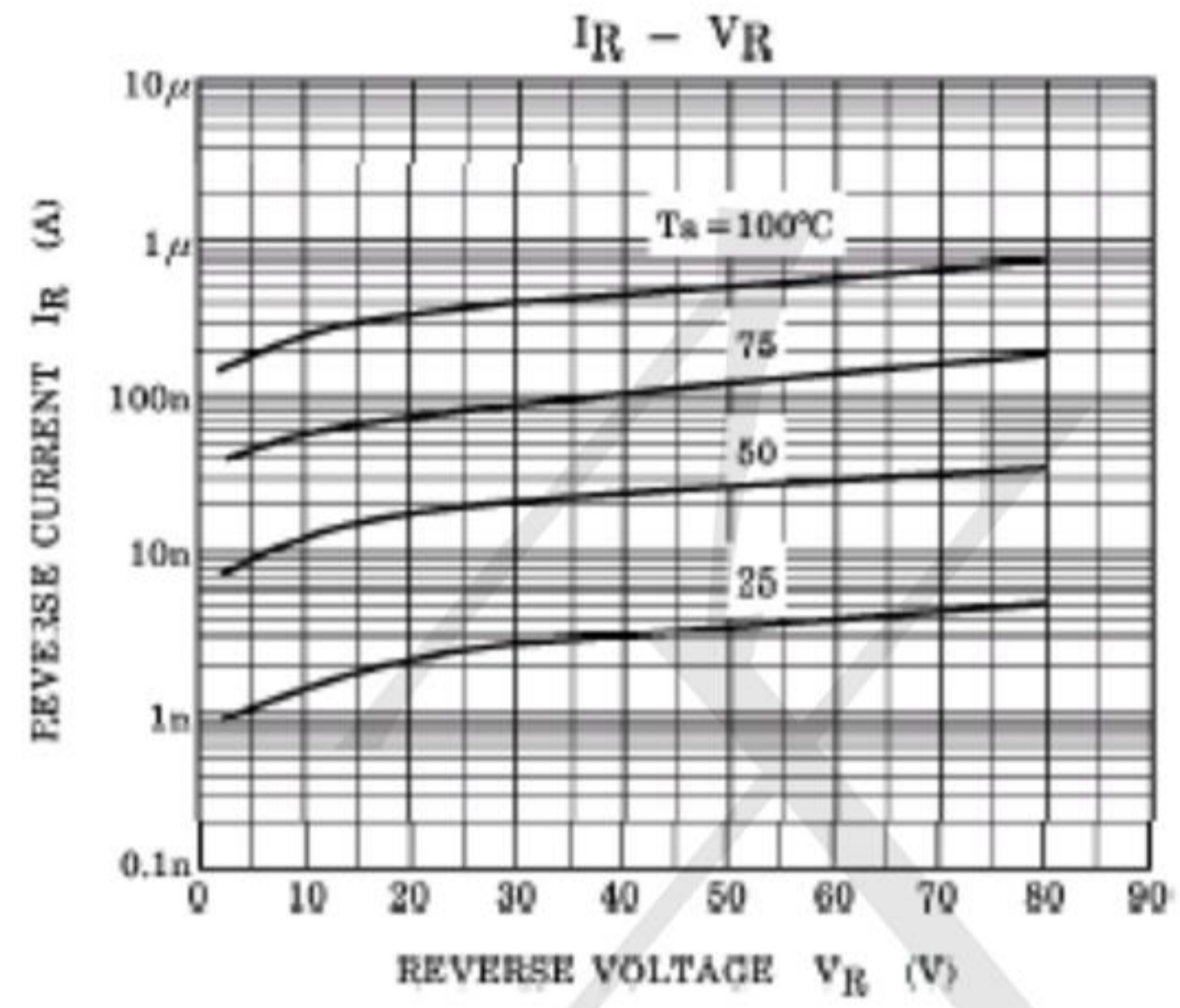
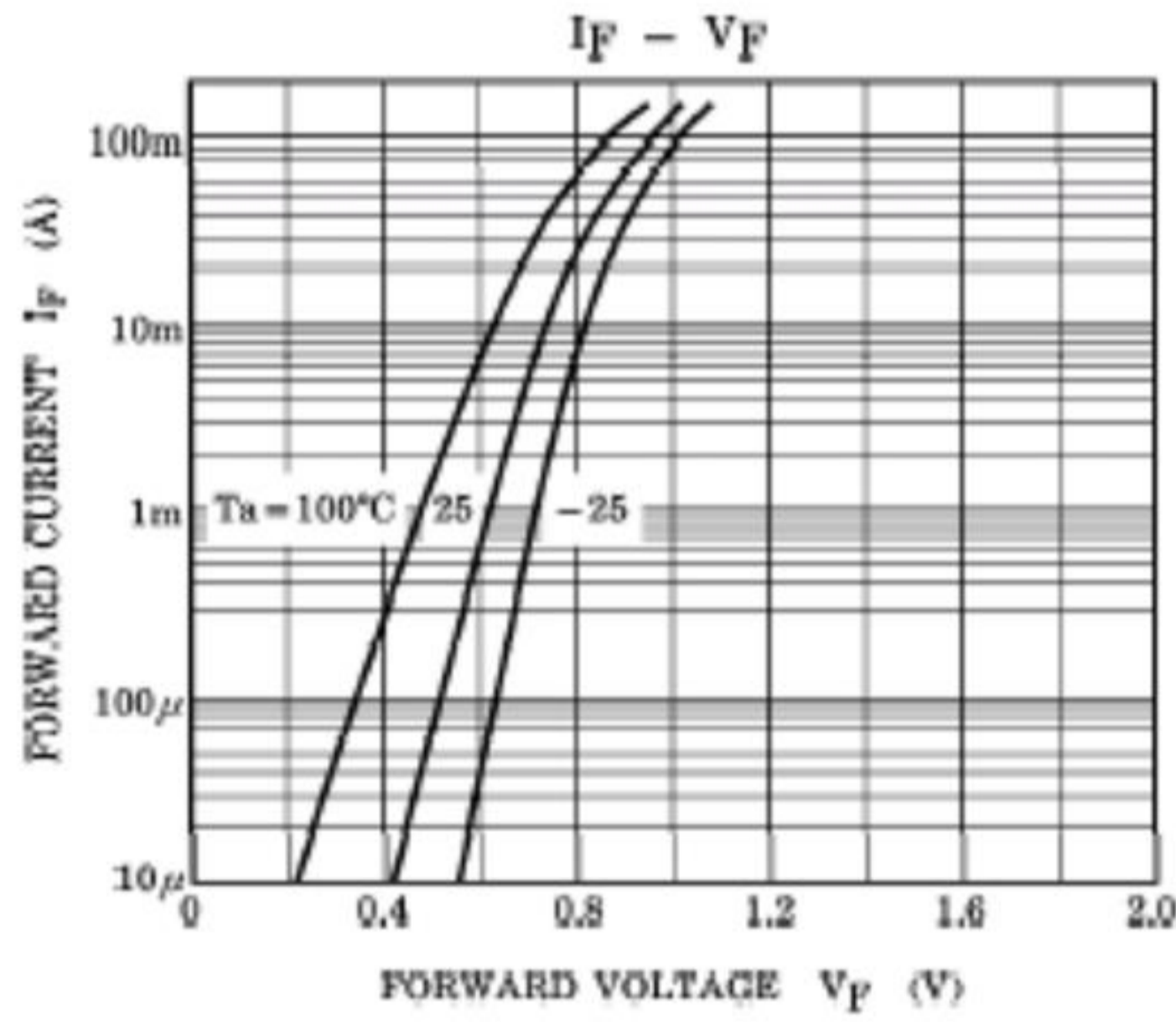
Absolute Maximum Ratings ($T_{amb}=25^{\circ}C$ unless otherwise specified)

| Parameter | Symbol | Value | Unit |
|-----------------------------------|-------------|---------------|-------------|
| Maximum (Peak) Reverse Voltage | V_{RM} | 85 | V |
| Reverse Voltage | V_R | 80 | V |
| Average Rectified Forward Current | $I_{F(AV)}$ | 100 | mA |
| Maximum (Peak) Forward Current | I_{FM} | 200 | mA |
| Surge Forward Current (10 ms) | I_{FSM} | 1 | A |
| Power Dissipation | P_{tot} | 200 | mW |
| Junction Temperature | T_j | 150 | $^{\circ}C$ |
| Storage Temperature Range | T_{stg} | - 55 to + 150 | $^{\circ}C$ |

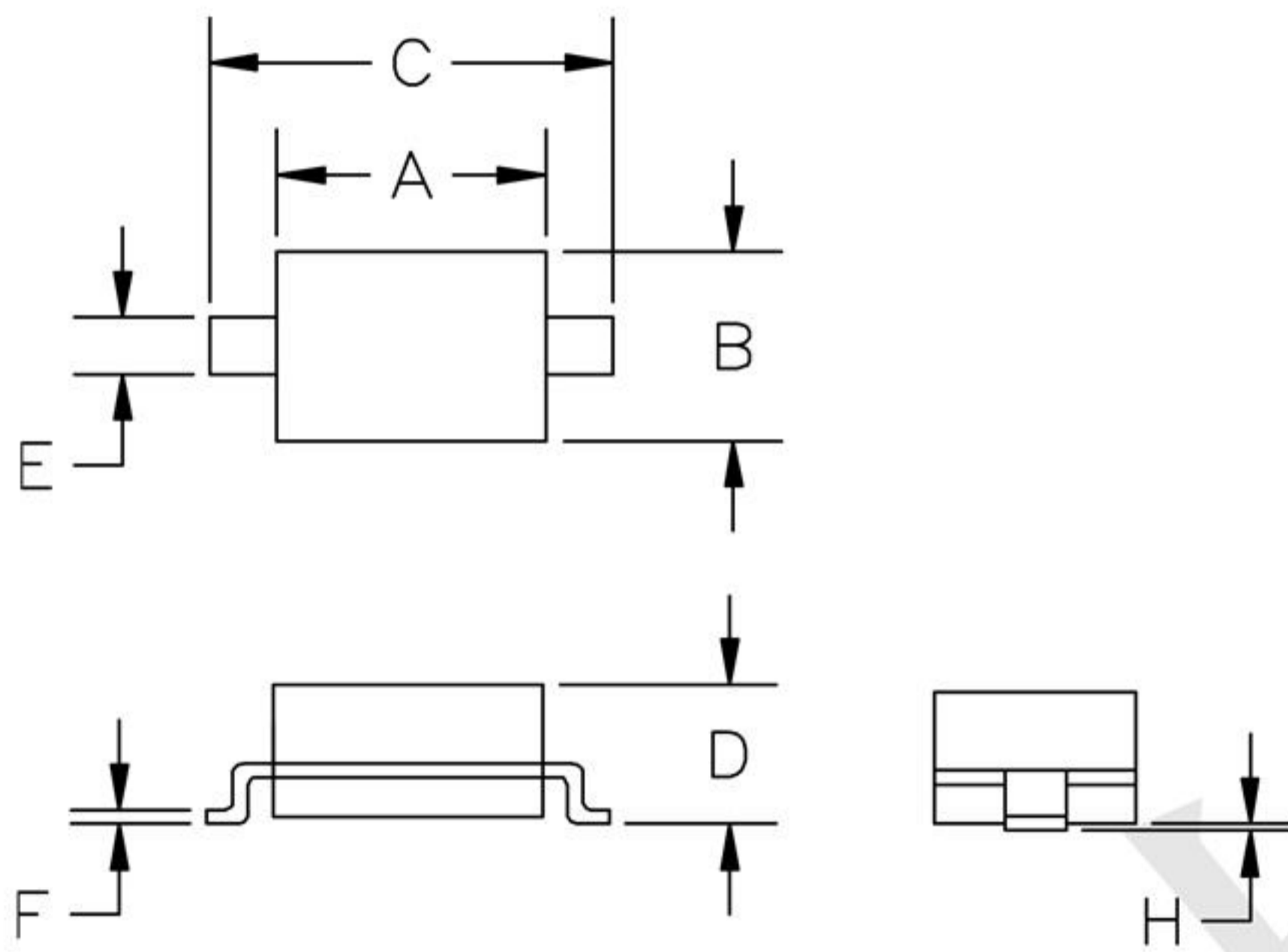
Electrical Characteristics (TA=25°C unless otherwise specified)

| Parameter | Symbol | Max. | Unit |
|--|----------|------------|---------------|
| Forward Voltage at $I_F = 100 \text{ mA}$ | V_F | 1.2 | V |
| Reverse Current at $V_R = 30 \text{ V}$ at $V_R = 80 \text{ V}$ | I_R | 0.1 0.5 | μA |
| Total Capacitance at $V_R = 0 \text{ V}$, $f = 1 \text{ MHz}$ | C_T | 3 | pF |
| Reverse Recovery Time at $I_F = 10 \text{ mA}$ to $I_R = 1 \text{ mA}$, $V_R = 6 \text{ V}$, $R_L = 100 \Omega$ | t_{rr} | 4 | ns |

Typical Performance Characteristics (TA=25°C unless otherwise Specified)

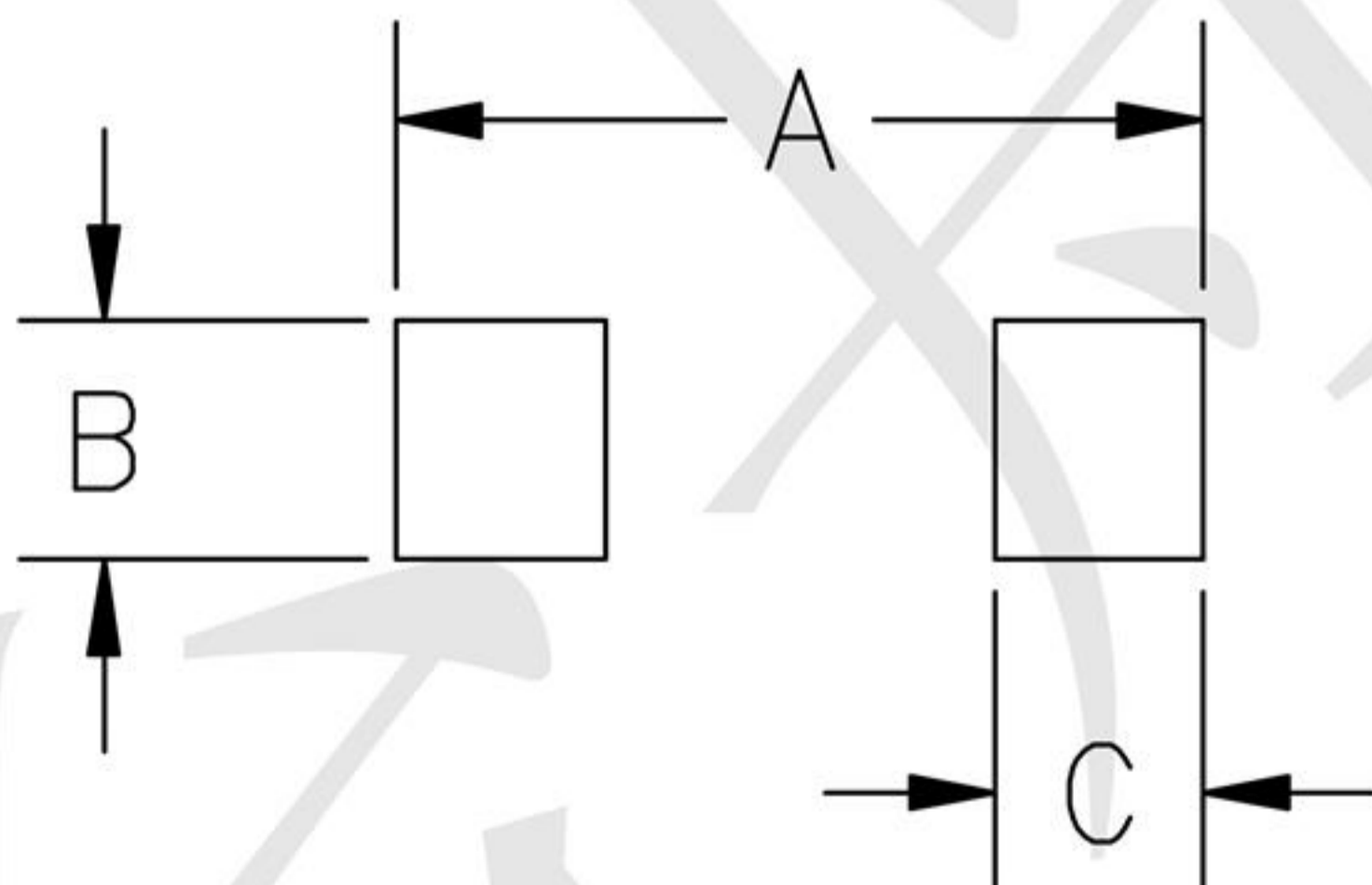


Outline Drawing - SOD-323



| SYM | DIMENSIONS | | | |
|-----|-------------|------|--------|-------|
| | MILLIMETERS | | INCHES | |
| | MIN | MAX | MIN | MAX |
| A | 1.50 | 1.80 | 0.060 | 0.071 |
| B | 1.20 | 1.40 | 0.045 | 0.054 |
| C | 2.30 | 2.70 | 0.090 | 0.107 |
| D | - | 1.10 | - | 0.043 |
| E | 0.30 | 0.40 | 0.012 | 0.016 |
| F | 0.10 | 0.25 | 0.004 | 0.010 |
| H | - | 0.10 | - | 0.004 |

Land Pattern - SOD-323



| SYM | DIMENSIONS | |
|-----|-------------|--------|
| | MILLIMETERS | INCHES |
| A | 3.15 | 0.120 |
| B | 0.80 | 0.031 |
| C | 0.80 | 0.031 |